



INDONESIA

### Head Office

APL Tower Central Park 19th Floor #T7,  
Jl. S Parman Kav 28, Slipi,  
Jakarta 11470, Indonesia

Tel : +6221 2965 9376

Fax : +6221 2933 9357

✉ : sales@caiindonesia.com

🌐 : www.caiindonesia.com



# PT CROWN AMERICA INTERNATIONAL INDONESIA







## OUR PROFILE

Founded in 1981 in Kansas, **Crown America International (CAI)** had successfully built interiors for most major hotels in US and Caribbean Island for more than several decades. Following these successes in the States, Crown America International is now expanding its business to Indonesia, bringing that same American quality and expertise for upper market usage in Indonesia.

Our manufacturing facilities are among the finest in the industry and precisely controlled by computers, allowing flawless wood pieces to be made. In addition, our strict quality control will only allow the best items to be passed on to you.

With high quality you can trust, Crown America International is ready to fulfill your needs of cabinets, kitchen sets, bathroom vanities, walk in closets, and even counter tops in quick and efficient manner.

## OUR SERVICES

With expertise and projects all over United States and Caribbean, Crown America International aims to be the best in Indonesia. We provide:

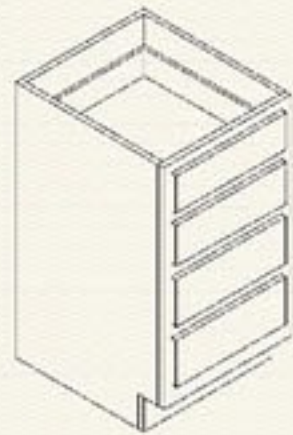
1. **Custom Design and Fabrication**
2. **Wood Products**
3. **On Staff Engineering**
4. **Professional Installation**

Quality is  
Priceless.



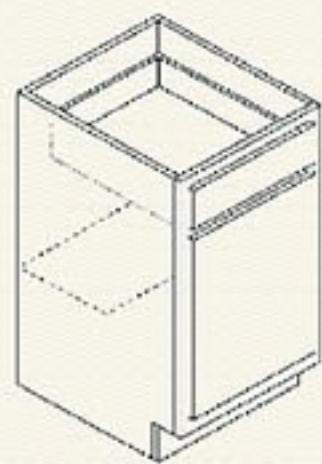


■ 4 Drawers Base Cabinet



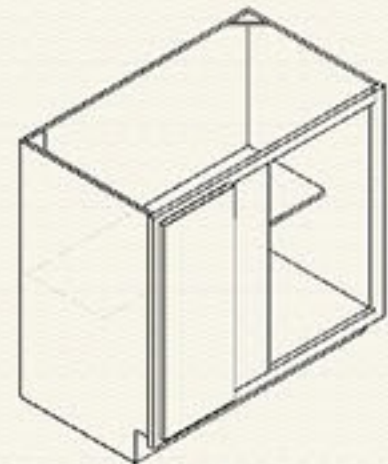
- Three Small Drawers
- One Deep Drawer

■ Base Cabinet



- One Door - One Drawer
- One 12" Adj Shelf

■ Blind Base Cabinet-Full Door



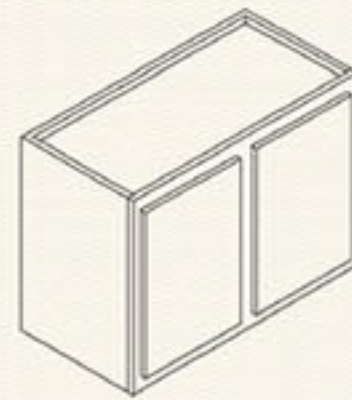
- One Door

■ 42" High Wall Cabinet



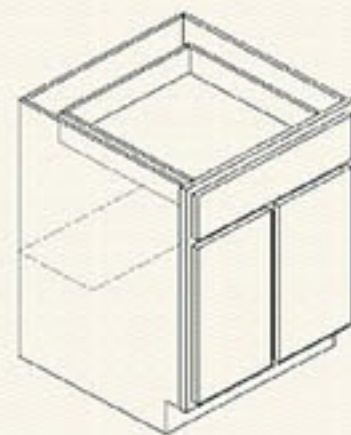
- One Door
- Three Shelves
- Reversible Left or Right

■ Wall - Two Doors - No Shelf



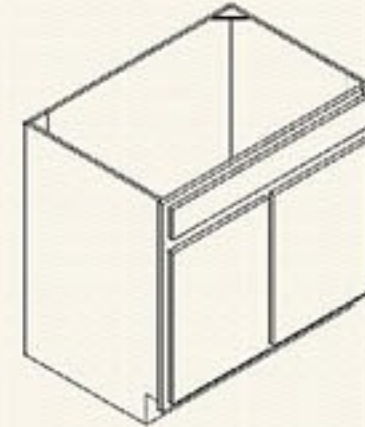
- Two Doors - No Shelf

■ Base Cabinet



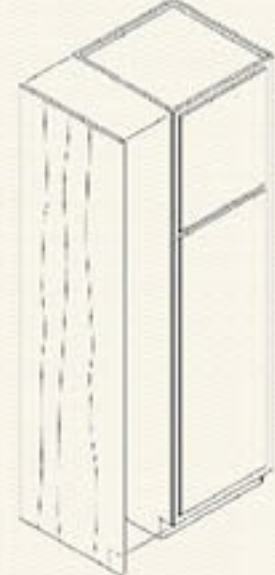
- Two Doors - One Drawer
- One 12" Adj Shelf

■ Sink Base Cabinet



- Two Doors, One False Front

■ Tall Skin 1/4"

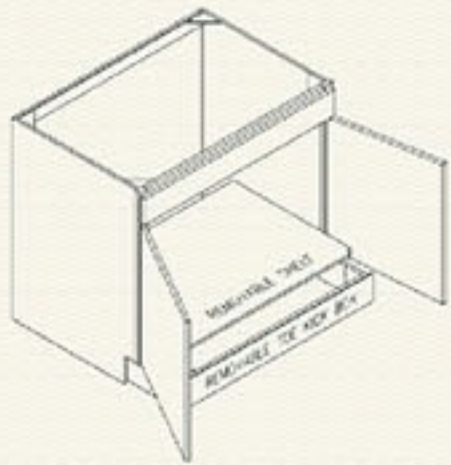


- Veneer or Melamine to Match Doors
- Invertable for left or right use; toe kick must be cut out



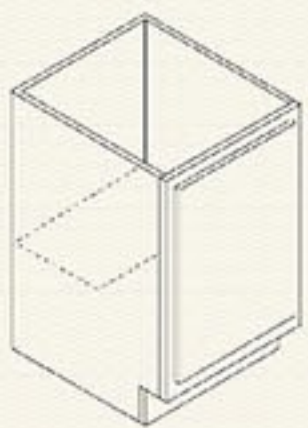


■ ADA Sink Base Cabinet



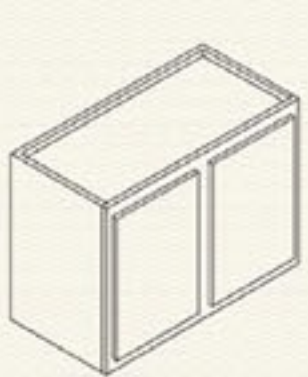
- Removable shelf and toe kick box
- Two Doors, One False Front

■ Base Full Height Cabinet



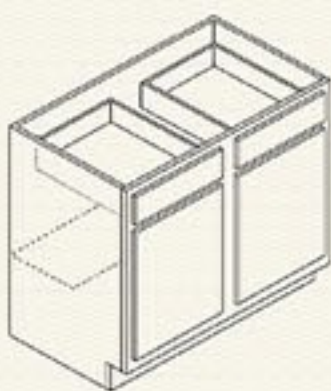
- One Door - One 12" Adj Shelf

■ Wall - Two Doors - No Shelf



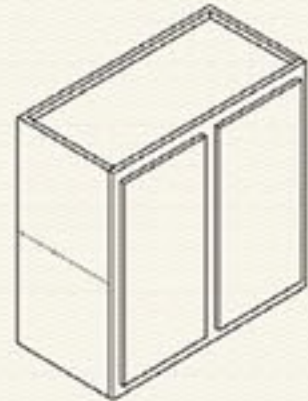
- Two Doors
- No Shelf

■ Base Cabinet



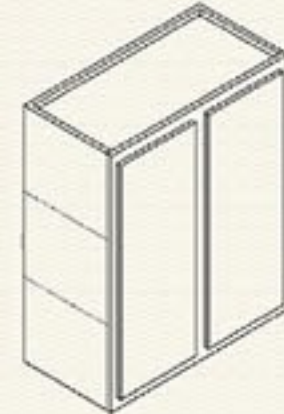
- Two Doors - Two Drawers
- One 12" Adj Shelf

■ Wall - Two Doors - One Shelf



- Two Doors
- One Shelf

■ Wall - Two Doors - Two Shelves



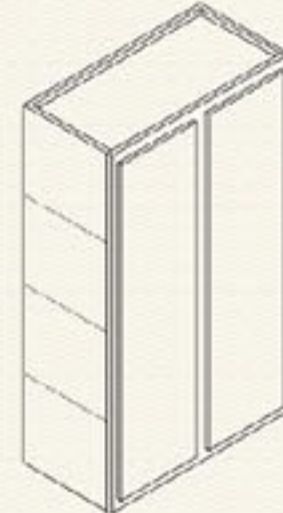
- Two Doors
- Two Shelves

■ 24" Deep Utility Cabinet - Single Door



- Two Doors
- One Fixed Shelf
- Four Adj Shelves

■ 42" High Wall Cabinet

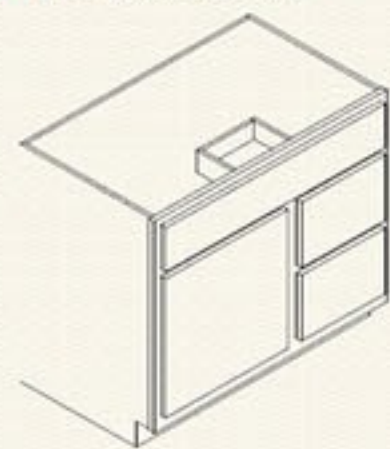


- Two Doors
- Three Shelves



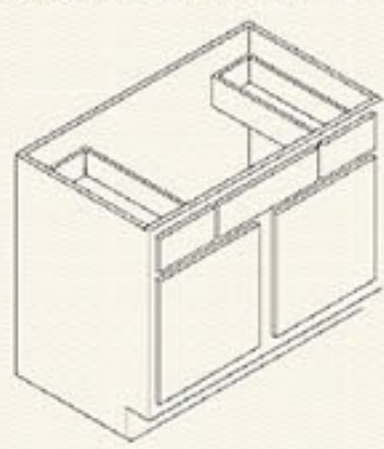


Vanity Base Special



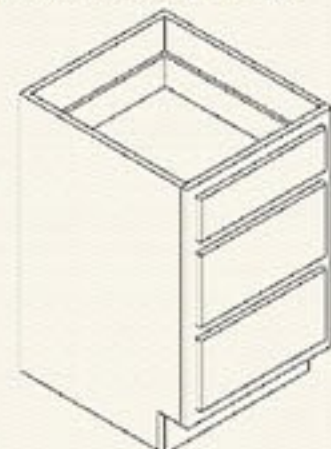
- One Door, One False Front
- Two Deep Drawers- Offset

Vanity Base Console 36 - 45



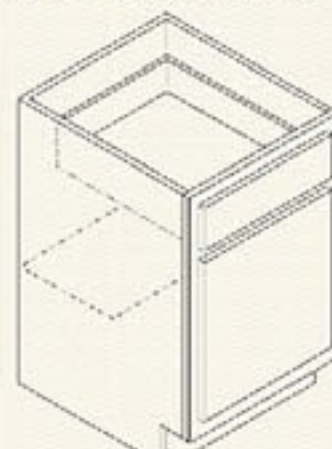
- One False Front, Two Drawers
- Two Doors

Vanity Drawer Cabinet



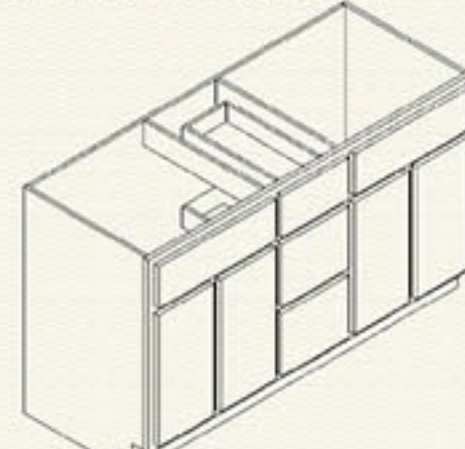
- One Small Drawer
- Two Deep Drawers

Vanity Drawer Cabinet



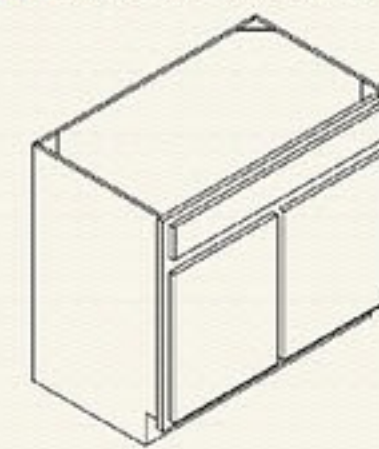
- One Door - One Drawer
- One 12" Adj Shelf

Vanity Combo Double Sink



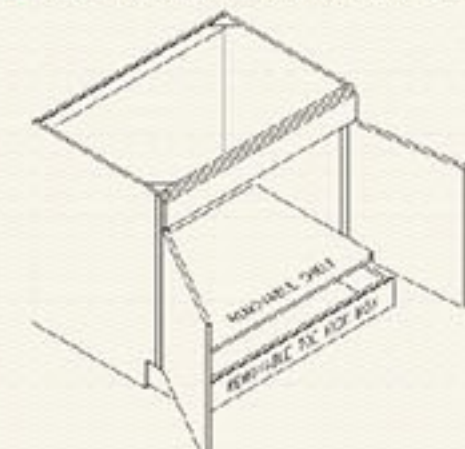
- Two False Fronts, Four Doors
- Three Drawers - One Small, Two Deep

Vanity Sink Base Cabinet



- Two Doors, One False Front

ADA Vanity Sink Base Cabinet



- Removable shelf and toe kick box
- Two Doors, One False Front

Vanity Sink Base Cabinet

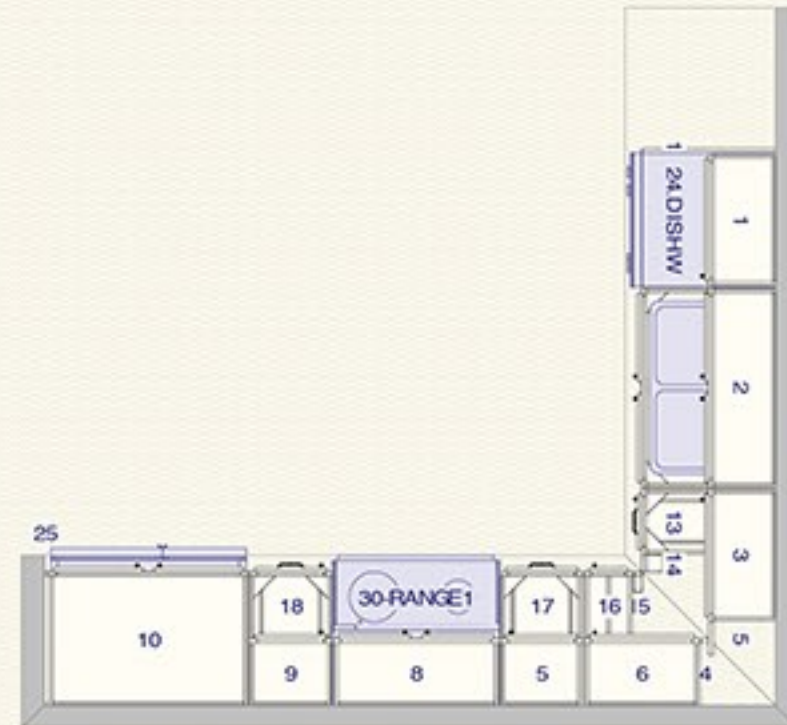
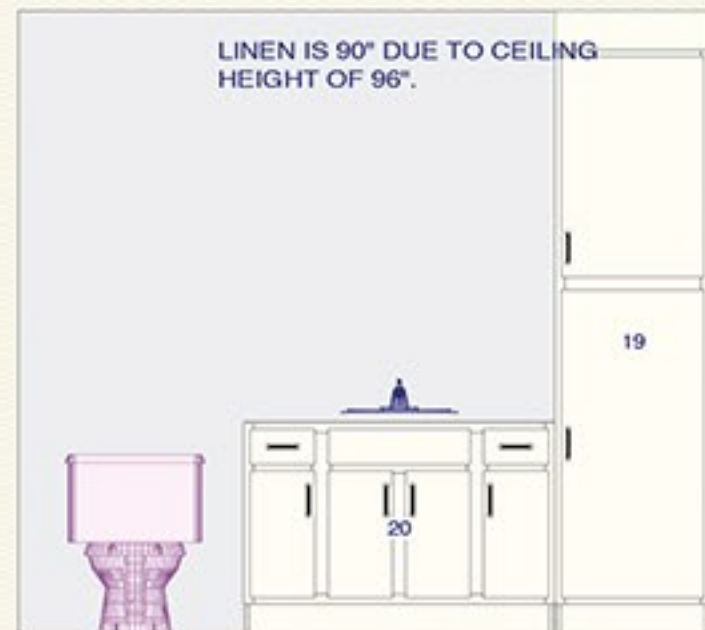
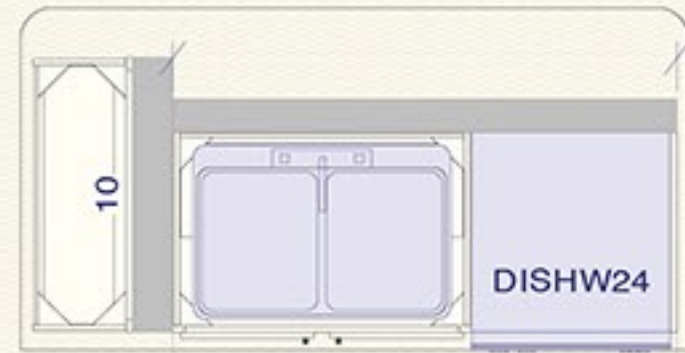


- Two Doors
- One Fixed Shelf,
- Four Adj Shelves



## BLUEPRINTS

To be able to construct the highest quality products, we at CAI is not only concerned about the design but also about the technicality. Our in house staff creates the most precise and accurate drawing before fabrication process takes place. Here are some examples of our drawing:



## PRODUCT ADVANTAGES

CAI product advantages:

1. Solid specialty woods e.g. Birch, Poplar, and Alderwoods
2. Utilized by big brand names like Ritz Carlton, Marriott, Hyatt, Renaissance, Sheraton, etc
3. Special and custom hinge
4. Pre-drilled panels to ensure proper installation
5. Modern cabinetry design
6. Computer controlled manufacturing facilities



American Style Hinge



Rack Mount



Manufacturing Facilities



Manufacturing Facilities

## PAST PROJECTS

### Hotels



### Department store chain

NORDSTROM

### Apartments/condominiums

- Cosmopolitan, Houston
- Element, Tampa
- Glasshouse, Dallas
- Mosaic, Houston
- One Las Vegas, Las Vegas
- Sky Las Vegas, Las Vegas